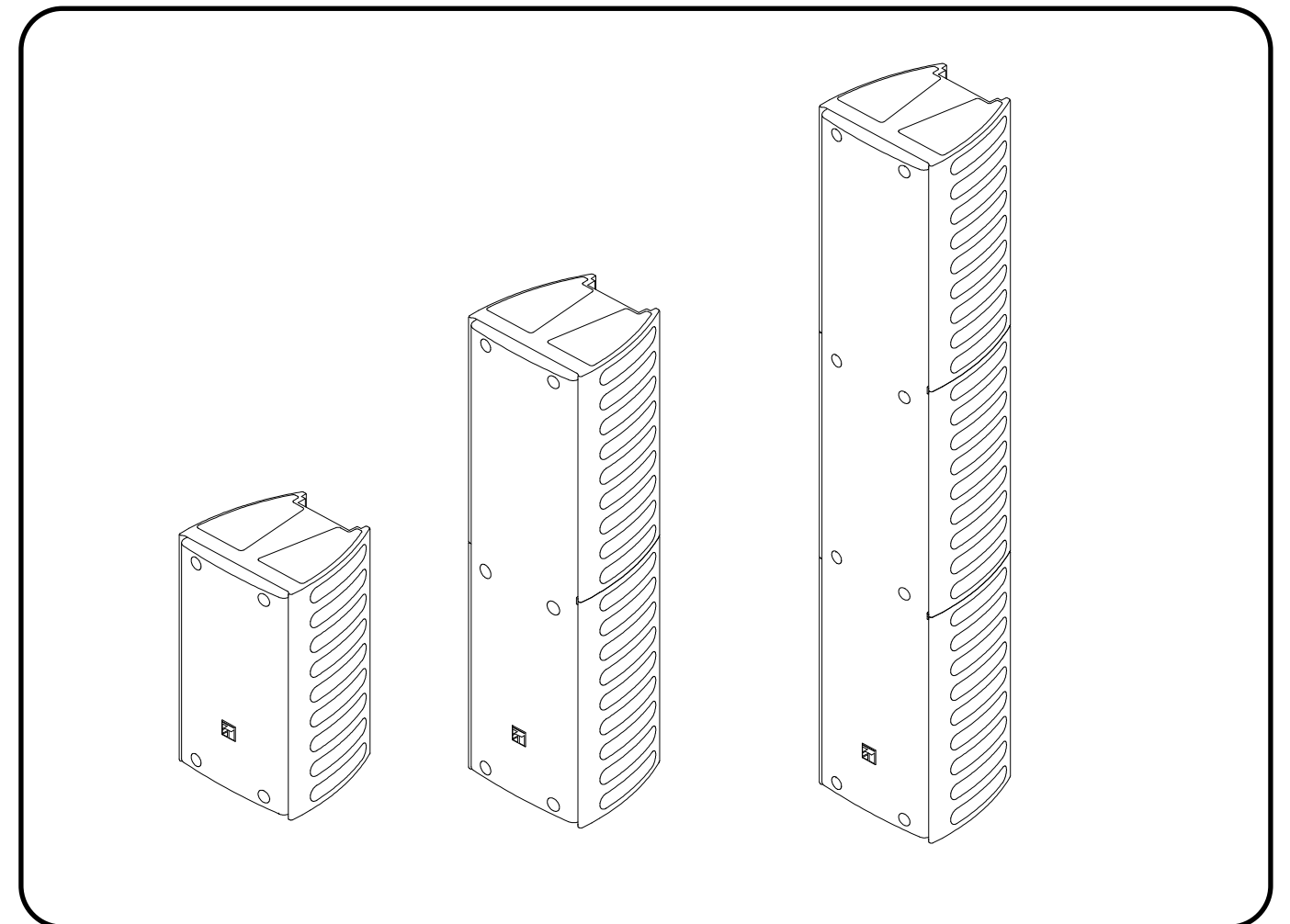




# COLUMN SPEAKER

INSTRUCTION MANUAL

**TZ-206B AS    TZ-206W AS**  
**TZ-406B AS    TZ-406W AS**  
**TZ-606B AS    TZ-606W AS**



Thank you for your confidence in our product.

Please follow the instructions stated in the manual carefully to ensure proper installation and to prevent any damage to the equipment. This is important for longer duration of your equipment.

### Traceability Information for Europe (EMC directive 2004/108/EC)

Manufacturer:  
TOA Corporation  
7-2-1, Minatojima Nakamachi, Chuo-Ku, Kobe, Hyogo,  
Japan

Authorized representative:  
TOA Electrics Europe GmbH  
Suederstrasse 282, 20537 Hamburg,  
Germany

# 1. SAFETY PRECAUTIONS

- Prior to installation or use of the speaker unit, please read carefully the instruction manuals.
- You must thoroughly understand the safety precautions and important safety warnings stated in the Instruction manual.
- After reading, please keep the instruction manual for future use at any time.



**WARNING**

Indicates a dangerous situation, improper action may result in death or serious injury.



**CAUTION**

Indicates potential danger, improper action may result in minor injury or equipment damage.



## Installing the speaker unit with mounting brackets

- Mount the unit on a location strong enough to support the weight of the unit and mounting bracket. Doing otherwise may cause the speaker unit to fall and result in personal injury / equipment damage.
- Do not apply other methods to mount the Mounting Bracket other than the method specified in the instruction manual. Speaker unit may fall and cause personal injury.
- Use the screw compatible with the composition and structure of the wall. Doing otherwise may cause the speaker to fall and result in personal injury.
- Tighten each screw securely. Ensure no loose bolt after speaker unit is mounted to prevent it from falling and causing personal injury.
- Do not mount on a location exposed to constant vibration because it may dismount or drop the speaker.
- The speaker is designed for in-door use therefore do not use it outdoors. Doing otherwise may bring damage to the speaker or cause it to fall, resulting in personal injury. If the speaker is wet due to rain, it may cause short circuit.
- Do not apply anti-rust lubricant as it will damage the plastic (resin) or rubber surface when applied and cause the speaker unit to fall, resulting in personal injury.
- Do not mount the unit in a humid room or poor ventilation. Bracket will easily get rusty if mounted in such a location, causing the speaker unit to fall and resulting in personal injury.



**CAUTION**

## When mounting Speaker Unit

- At least 2 people are required to lift it up or put it into the box. If the unit topples, it may cause personal injury.
- Avoid the sharp edge of the unit to prevent any injury.
- To prevent short-circuit, ensure amplifier is TURNED OFF when connecting it to the speaker unit.

## When Speaker Unit is in use (turned on)

- Do not place any heavy object on the speaker which may cause the speaker to fall, resulting in personal injury or damage to the unit. The respective object will also fall and cause harm to others.
- Do not operate the speaker for an extended period of time with distorted sound. This indicates improper operation and it may cause heat and fire.
- Do not sit, stand or hang on the speaker unit. Doing so may cause the speaker unit to fall, resulting in personal injury or damage to the unit.
- Conduct regular check to detect any damage to the unit or corrosion to the mounting bracket as early as possible. Failure to do so may cause the speaker to fall, resulting in personal injury.

## 6.3. TZ-606B AS and TZ-606W AS

Model No.	TZ-606B AS	TZ-606W AS	
Enclosure	Sealed type		
Rated Input	60 W		
Rated Impedance	100V line: 170Ω (60W), 330Ω (30W), 670Ω (15W), 1.3kΩ (7.5W)		
	70V line: 170Ω (30W), 330Ω (15W), 670Ω (7.5W), 1.3kΩ (3.8W)		
Sensitivity	95 dB (1W, 1m)		
Frequency Response	150 – 16,000Hz		
Speaker Component	10 cm(4") cone-type x 6		
Input Terminals	Push-in terminals		
Finish	Enclosure	HIPS, black	HIPS, white
	Punched Net	Surface-treated steel plate, black, paint	Surface-treated steel plate, white, paint
	Speaker Bracket	Aluminum die-cast, black, paint	Aluminum die-cast, white, paint
	Joint Bracket Wall Bracket	Steel plate, t1.6, black, paint	Steel plate, t1.6, white, paint
Dimensions	135 (W) x 746 (H) x 128 (D) mm (5.31" X 29.37" X 5.04")		
Weight	5.5 kg (12.12 lb) unit only		
Accessories	Speaker bracket ... 1, Joint bracket ... 1, Wall bracket ... 1, Fixing bolt M5 x 60 ... 1, Hexagon bolt M6 x 12 (with plain washer and spring washer) ... 2, Machine screw M5 x 20 (with plain washer and spring washer) ... 2, Hexagon bolt M8 x 15 ... 1		
Option	Speaker stand: ST-16A		

**Note:** The design and specifications are subject to change without notice for product improvement.

## 6.2. TZ-406B AS and TZ-406W AS

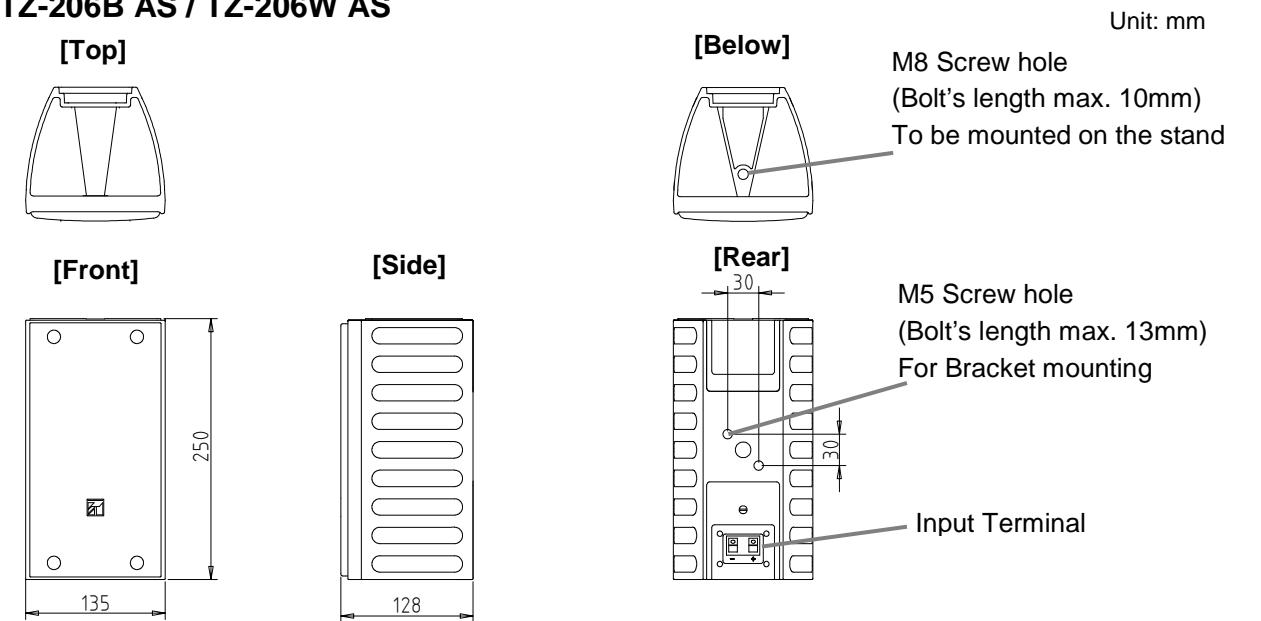
Model No.	TZ-406B AS		TZ-406W AS	
Enclosure	Sealed type			
Rated Input	40 W			
Rated Impedance	100V line: 250Ω (40W), 500Ω (20W), 1kΩ (10W), 2kΩ (5W)			
	70V line: 250Ω (20W), 500Ω (10W), 1kΩ (5W), 2kΩ (2.5W)			
Sensitivity	93 dB (1W, 1m)			
Frequency Response	150 – 16,000Hz			
Speaker Component	10 cm(4") cone-type x 4			
Input Terminals	Push-in terminals			
Finish	Enclosure	HIPS, black	HIPS, white	
	Punched Net	Surface-treated steel plate, black, paint	Surface-treated steel plate, white, paint	
	Speaker Bracket	Aluminum die-cast, black, paint	Aluminum die-cast, white, paint	
	Joint Bracket Wall Bracket	Steel plate, t1.6, black, paint	Steel plate, t1.6, white, paint	
Dimensions	135 (W) x 498 (H) x 128 (D) mm (5.31" X 19.6" X 5.04")			
Weight	3.5 kg (7.71 lb) unit only			
Accessories	Speaker bracket ... 1, Joint bracket ... 1, Wall bracket ... 1, Fixing bolt M5 x 60 ... 1, Hexagon bolt M6 x 12 (with plain washer and spring washer) ... 2, Machine screw M5 x 20 (with plain washer and spring washer) ... 2, Hexagon bolt M8 x 15 ... 1			
Option	Speaker stand: ST-16A			

## 2. GENERAL DESCRIPTION

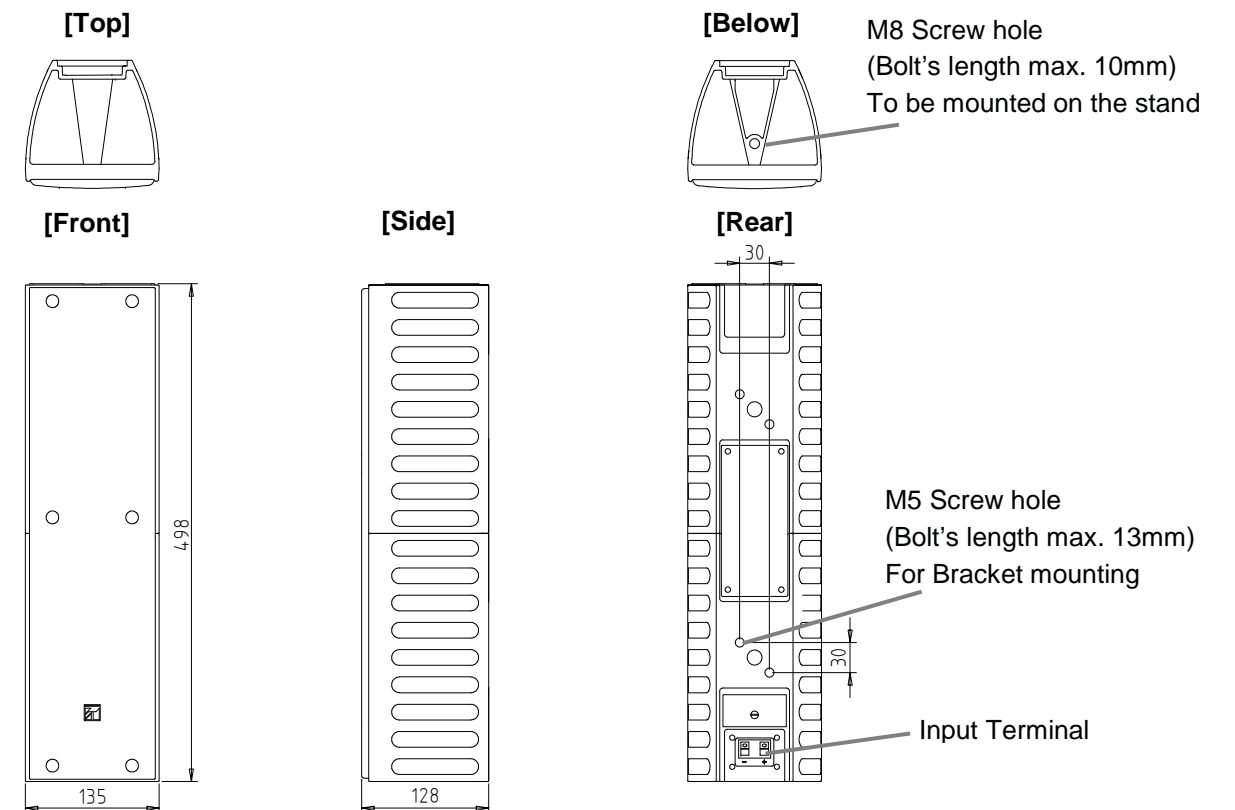
- Column Speaker is suitably designed for in-door use.
- Its wide frequency and high-pitch sound makes it very efficient for use in a spacious room.
- The speaker unit is designed to reproduce sound with good clarity and high input power capacity.
- The plastic column speaker comes with speaker bracket as accessories.
- The speaker bracket offers better installation flexibility

## 3. SPEAKER DIMENSIONAL DIAGRAM

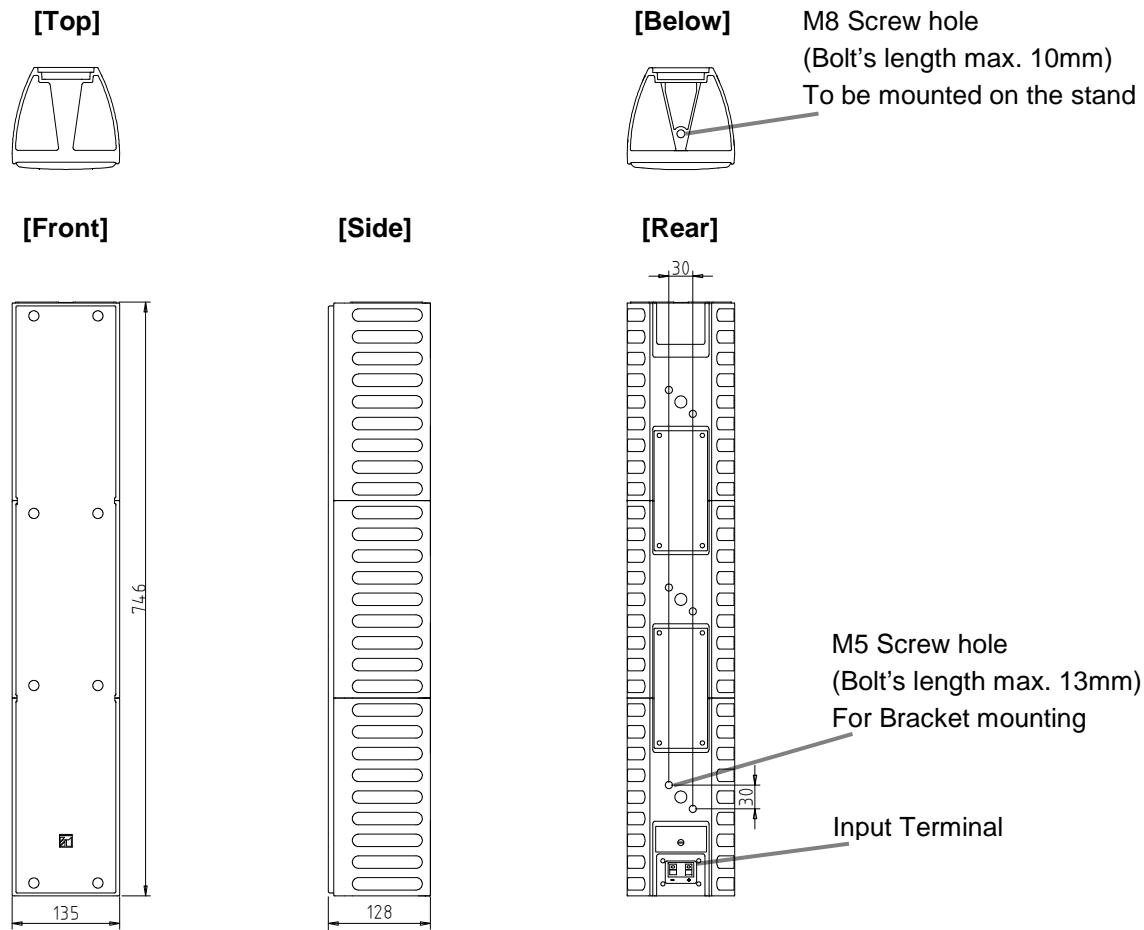
### 3.1. TZ-206B AS / TZ-206W AS



### 3.2. TZ-406B AS/ TZ-406W AS



### 3.3. TZ-606B AS/TZ-606W AS



## 4. HOW TO ADJUST IMPEDANCE

To adjust impedance, use standard screwdriver to turn the rotary switch located at the back of the speaker to the desired input power.

**Note :** Rotary switch is set at position

500Ω / 20W (TZ-206B AS, TZ-206W AS)  
 250Ω / 40W (TZ-406B AS, TZ-406W AS)  
 170Ω / 60W (TZ-606B AS, TZ-606W AS)

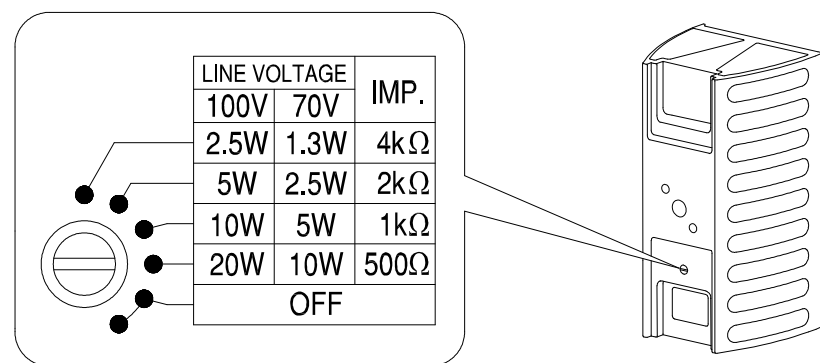


Figure of model: TZ-206 series

### **Important!**

Failure to follow the instruction manual may cause damage to the speaker or amplifier.

## 6. SPECIFICATION

### 6.1. TZ-206B AS and TZ-206W AS

Model No.	TZ-206B AS	TZ-206W AS	
Enclosure	Sealed type		
Rated Input	20 W		
Rated Impedance	100V line: 500Ω (20W), 1kΩ (10W), 2kΩ (5W), 4kΩ (2.5W)		
	70V line: 500Ω (10W), 1kΩ (5W), 2kΩ (2.5W), 4kΩ (1.3W)		
Sensitivity	90 dB (1W, 1m)		
Frequency Response	150 – 16,000Hz		
Speaker Component	10 cm(4") cone-type x 2		
Input Terminals	Push-in terminals		
Enclosure	Enclosure	HIPS, black	HIPS, white
	Punched Net	Surface-treated steel plate, black, paint	Surface-treated steel plate, white, paint
	Speaker Bracket	Aluminum die-cast, black, paint	Aluminum die-cast, white, paint
	Joint Bracket Wall Bracket	Steel plate, t1.6, black, paint	Steel plate, t1.6, white, paint
Dimensions	135 (w) x 250 (h) x 128 (d) mm (5.31" X 9.84" X 5.04")		
Weight	1.9 kg (4.18 lb) unit only		
Accessories	Speaker bracket ... 1, Joint bracket ... 1, Wall bracket ... 1, Fixing bolt M5 x 60 ... 1, Hexagon bolt M6 x 12 (with plain washer and spring washer) ... 2, Machine screw M5 x 20 (with plain washer and spring washer) ... 2, Hexagon bolt M8 x 15 ... 1		
Option	Speaker stand: ST-16A		

## 5.4. MOUNTING ON STAND SPEAKER

The speaker unit can also be mounted on speaker stand of TOA model ST-16A (optional). Illustration below shows the mounting method of unit on speaker stand.

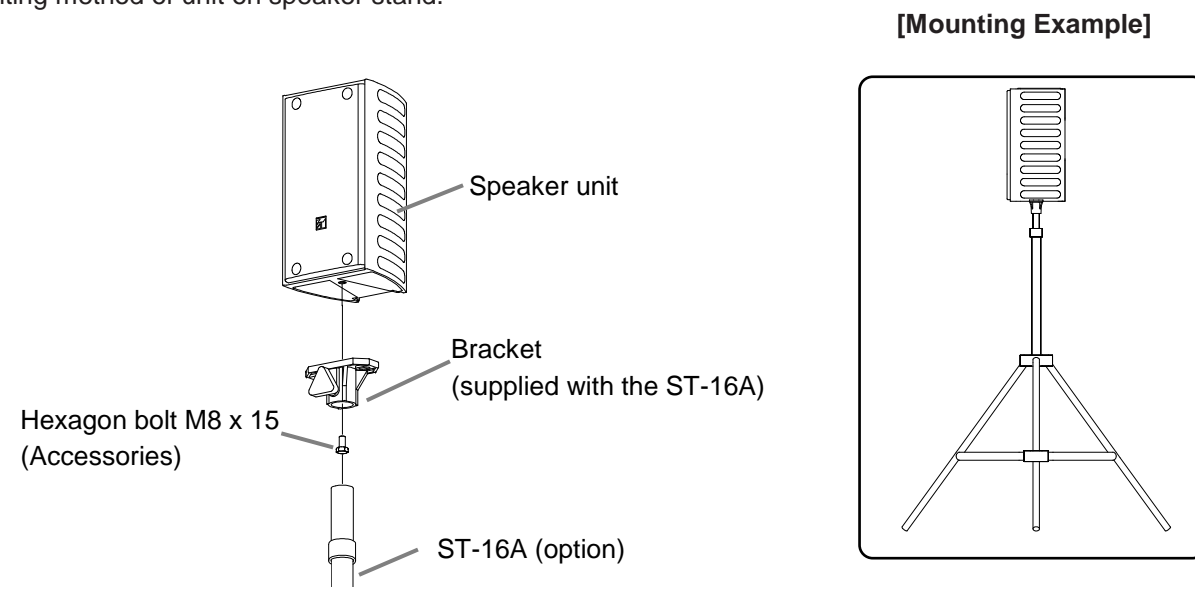


Figure of model: TZ-206 series

**Step 1.** Mount speaker unit onto speaker stand bracket (ST-16A) with the bolt and spacer provided together with the other Accessories stand (ST-16A).

**Step 2.** Connect speaker cable to input terminal.

Note:

For further details on mounting method of bracket to speaker stand and the use of speaker stand mounting, please refer to the attached mounting instruction manual with ST-16A Speaker Stand.

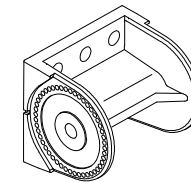
## 5. INSTALLATION

### 5.1. Use the Bracket provided

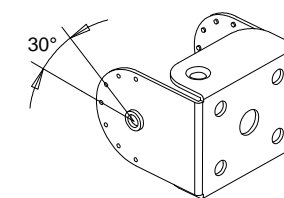
The speaker unit is equipped with mounting brackets as shown below. Use the brackets according to the desired mounting location and application.

#### Bracket for TZ-206 and TZ-406 Series model

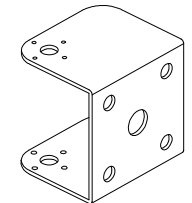
[Speaker Bracket]



[Joint Bracket]

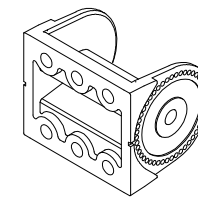


[Wall Bracket]

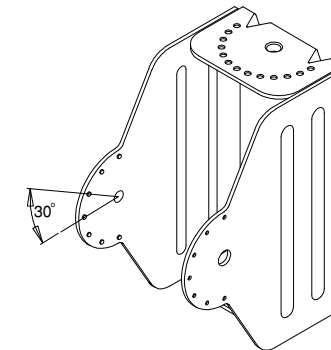


#### Bracket for TZ-606 Series model

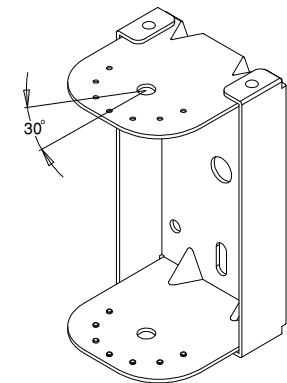
[Speaker bracket]



[Joint bracket]



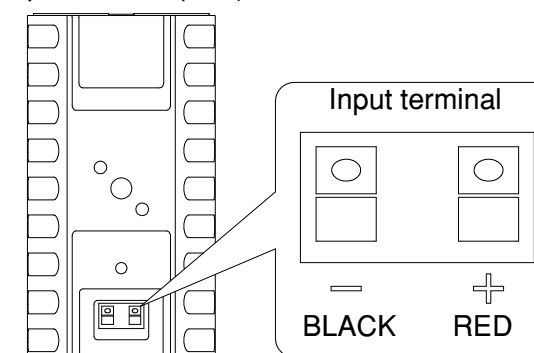
[Wall bracket]



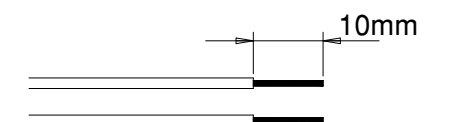
### 5.2. Connecting Speaker Cables

[Input terminal polarity]

Speaker unit (rear)



[Stripped conductor of cable]



### 5.3. Mounting of Bracket to Speaker

#### Adjusting horizontal and vertical angles

Mounting of bracket to speaker is illustrated in the pictures below. Screws to mount the bracket to the speaker are provided as accessories when you purchase the speaker unit.

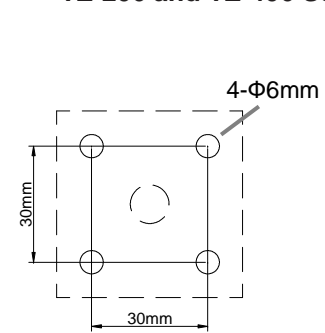
\* Vertical mounting with maximum angle of 30° above the ground

\* Horizontal max 70°, Vertical: max. 22.5° above the ground (TZ-206 and TZ-406 Series)

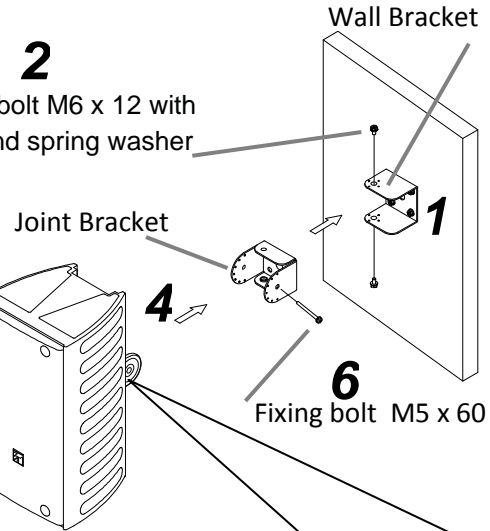
\* Horizontal max 60°, Vertical: max. 30° above the ground (TZ-606 Series)

#### [Bracket wall hole size]

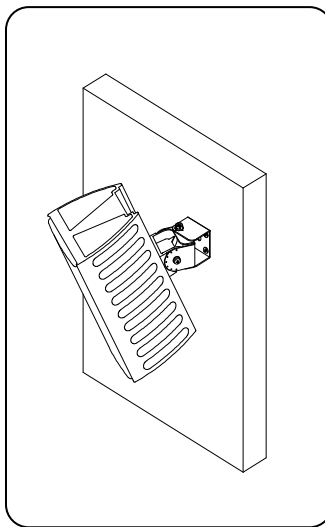
TZ-206 and TZ-406 Series



**2**  
Hexagon bolt M6 x 12 with washer and spring washer



#### [Mounting Example]



**3**

Machine screw M5x20mm with washer and spring washer

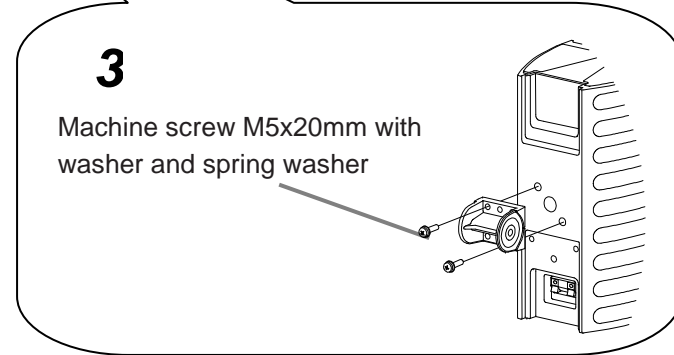


Figure of model: TZ-206 series

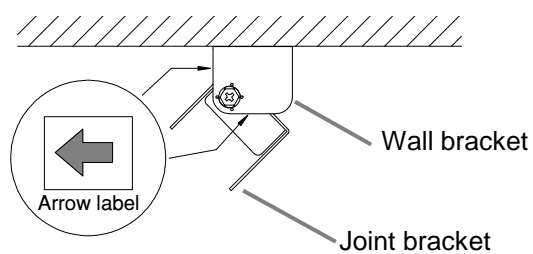
**Step 1.** Mount Wall Bracket onto the wall.

Align the arrow label direction with the front horizontal direction (left or right) of speaker.

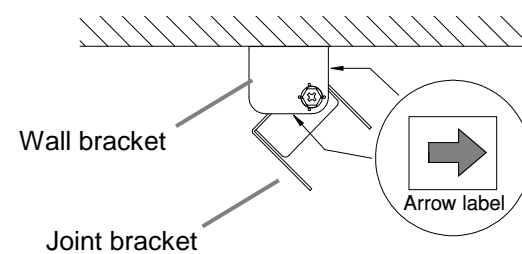
**Note:** The required tools to mount the wall bracket are not provided

#### Arrow label direction (top-view from bracket)

[Facing to the left]



[Facing to the right]



**Step 2.** Attach the joint bracket to the wall bracket with the provided screw, adjust the angle of horizontal speaker and tighten the screw.

**Note:** Align the arrow direction on the wall bracket and joint bracket.

**Step 3.** Attach the bracket to the rear of the speaker with the provided screw.

**Note:** Attach the speaker bracket according to the speaker's direction

**Step 4.** Mount the speaker to joint bracket by inserting the speaker bracket into the joint bracket and temporarily loosening the fixing bolt.

**Step 5.** Connect the speaker cable to input terminal..

**Step 6.** Adjust the speaker's vertical angle and tighten the fixing bolt.

Speaker's angle is adjustable at 7.5°.

**Note:** The closed surface of the speaker bracket and joint bracket is design to lock each other.

Ensure both sides are attached securely after mounting.

#### Mount the speaker onto wall surface

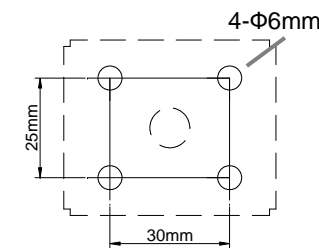
Use the joint bracket and speaker bracket. Mount joint bracket onto the wall. After mounting joint bracket, follow steps 3 – 6 above. This arrangement will allow the speaker to be mounted in a vertical direction only\*.

\* Vertical mount: max. 22.50° above the ground.

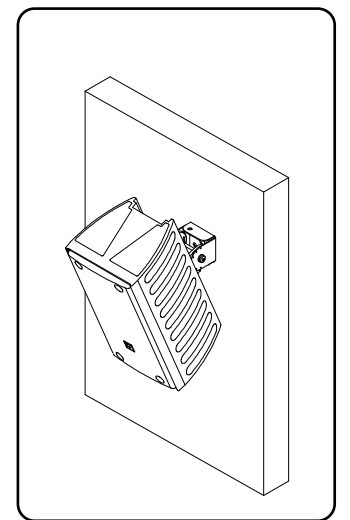
**Note:** Equipment to mount joint bracket is not provided.

#### [Size of joint bracket mounting]

TZ-206 and TZ-406 Series



#### [Mounting Example]



TZ-606 Series

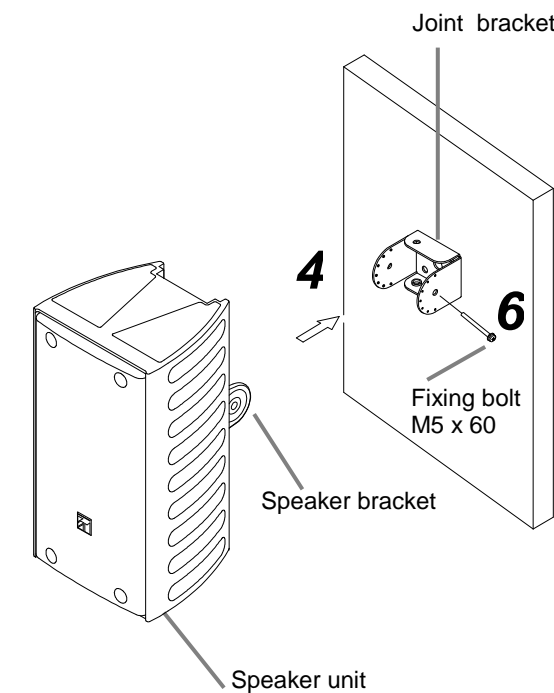
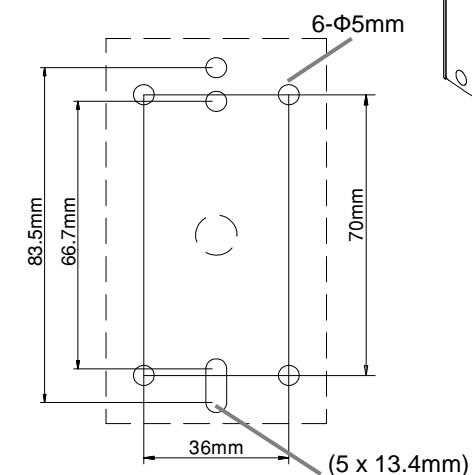


Figure of model: TZ-206 series