

# FLX Series DSP-Enabled Amplifiers

The FLX Platform is the most versatile 1/2 rack networked amplifier Stewart has ever produced. This compact package contains over 300 watts of power output in various channel configurations and impedances. At the heart of the platform is a robust, internal full function DSP that is designed to solve a multitude of your audio problems in just one box. The channel count varies from 1-4 channels and the DSP allows further configuration via bridging, routing, EQ, Filters, limiters and much more. A USB port makes programming simple, fast and repeatable for large installations. The RVC and RS232 control allow volume control from a wide range of devices. In addition, the FLX platform has an optional factory installed Dante™ or CobraNet® card with 2 channels of networked audio. You won't find a more flexible combination of power output and processing in a comparable package on the market today.



FLX 160-2 shown

**STEWART AUDIO**  
The Difference is Hear

## FLX Series

FLX80-4	80W x 4 @ 4 Ohms
FLX80-4 CV	80W x 4 @ 70V/100V
FLX160-2 CV	160W x 2 @ 70V/100V
FLX320-1 CV	320W x 1 @ 70V/100V

### Features:

- Onboard DSP for signal routing, filtering, bridging, and set programming
- USB and RS232 available for configuration
- Dante™ & CobraNet® interface available
- 1/2 rack package
- Remote Volume Control
- Signal Sense Technology
- Made in the USA

### Applications:

- Network Audio
- Hospitality Installations
- Classrooms
- Conference Rooms
- House of Worship
- Dividable Rooms
- 2.1 Installations

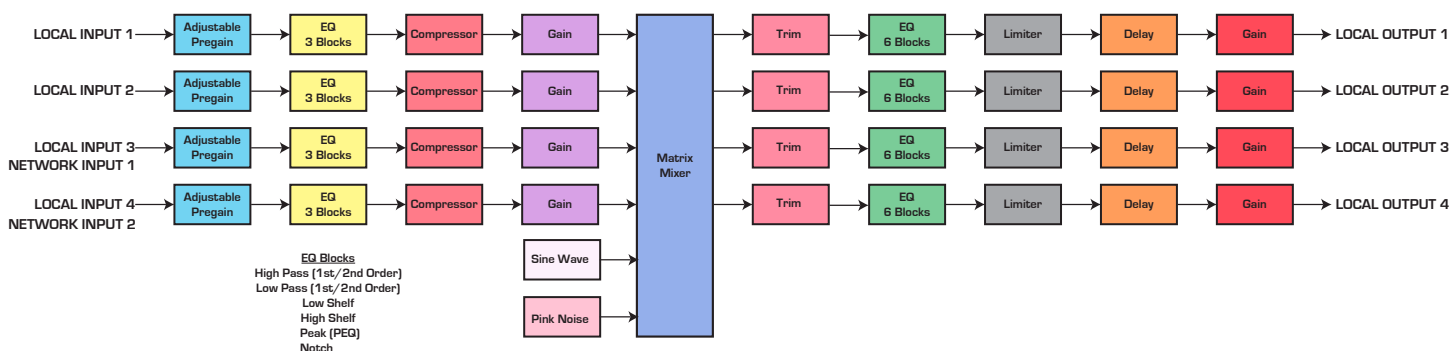
14397 Cuesta Court Ste D1 • Sonora Ca 95370 • TEL: 209.588.8111 • [www.stewartaudio.com](http://www.stewartaudio.com)

Dovoz, distribuce a prodej v ČR:  
**AUDIO DIGITAL s.r.o.**  
[www.audiodigital.cz](http://www.audiodigital.cz)

# FLX Series

FLX80-4	80W x 4 @ 4 Ohms
FLX80-4 CV	80W x 4 @ 70V/100V
FLX160-2 CV	160W x 2 @ 70V/100V
FLX320-1 CV	320W x 1 @ 70V/100V

Output Power	FLX80-4 ----- ■ 80W x 4 @ 4 Ohms
	FLX80-4 CV ----- ■ 80W x 4 @ 70.7V/100V
	FLX160-2 CV ----- ■ 160W x 2 @ 70.7V/100V
	FLX320-1 CV ----- ■ 320W x 1 @ 70.7V/100V
Frequency Response	----- ■ 20 Hz —20 kHz (4 Ohms), 65 Hz - 20kHz (70.7/100V)
THD+N	----- ■ <.1% @ Full Power
Signal-to-Noise Ratio	----- ■ >100dB
Input Sensitivity	----- ■ 1V (0 dBV)
Input impedance (Balanced/Unbalanced)	----- ■ 20k Ohms/10k Ohms
Current Draw - Idle,Standby, 1/8 Power	----- ■ TBD
Amplifier Class	----- ■ D
Remote Volume	----- ■ 0-10V
External Mute	----- ■ Contact-closure
Input Connectors	----- ■ 3.5mm Euroblock
Output Connectors	----- ■ 5mm Euroblock
LED Indicators	----- ■ Power and Signal
Controls	----- ■ USB & RS-232
Optional Network Input	----- ■ Dante™, CobraNet®
Power Supply Input	----- ■ 85-265 VAC 50/60Hz (PFC Universal Input)
Construction	----- ■ Aluminum Chassis
Mounting	----- ■ Rack-mountable
Cooling	----- ■ Convection–Cooling (No Fans)
Dimensions (height, width, depth)	----- ■ 1.7”H x 8.3” W x 11.25” D
Weight	----- ■ 4.5lbs max (varies by model)
Warranty	----- ■ 3 years



**STEWART AUDIO**  
 The Difference is Hear

14397 Cuesta Court Ste D1  
 Sonora Ca 95370  
 TEL: 209.588.8111  
[www.stewartaudio.com](http://www.stewartaudio.com)

Dovoz, distribuce a prodej v ČR:  
**AUDIO DIGITAL s.r.o.**  
[www.audiodigital.cz](http://www.audiodigital.cz)