

Subwoofer

SB110 SB110T

Compact Subwoofer

Max SPL: 119dB at 1m
Bandwidth: 37Hz-200Hz
Continuous Power: 300W

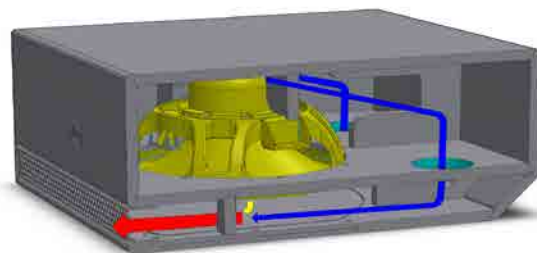
The SB110 passive subwoofer has been designed to provide a deep bass extension to column loudspeakers such as StepArray or Ray-On, for diffusion of music or AV soundtracks in small and medium venues.

SB110 is very compact, and can be positioned horizontally or vertically, thus ensuring optimum integration.

The 10" high-end neodyme loudspeaker is loaded with an enclosure operating in interactive dual volume mode. It achieves a remarkably low cutoff in a small volume, while yielding sharp and dynamic sound.



The dual Interactive chamber



The dual Interactive chamber design significantly reduces the volume of the acoustic load in order to obtain the best size / low cutoff frequency ratio as well as a significant efficiency gain in terms of useable bandwidth and perfect membrane movement control. This driver takes advantage of a forced thermal cooling, which drastically reduces thermal compression, resulting in high sound pressure capacity.

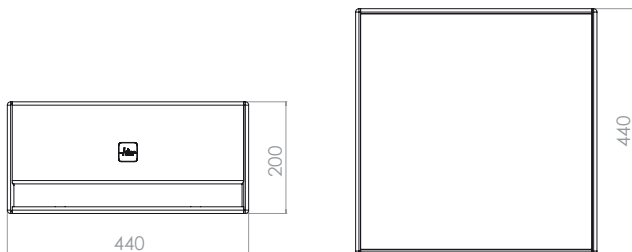
By consequence, the bandwidth efficiency gain compared to a traditional bass-reflex loaded cabinet is 3dB.

SB110

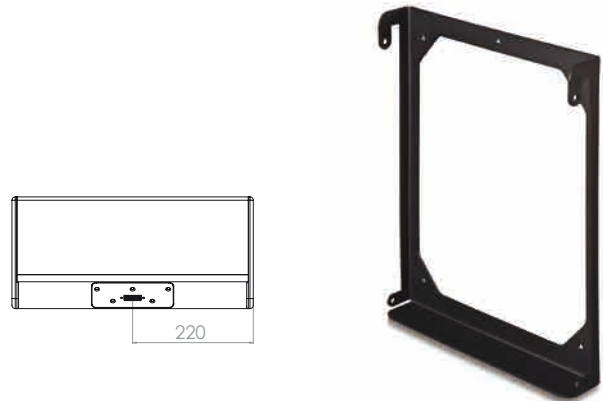
Technical Specifications

Mechanical drawing

Front views



Rigging



Technical Specifications

Acoustical data

Loudspeaker model	10 pouces neodymium cone driver
Loudspeaker type	Dual Interactive chamber
Power AES / Peak	300W / 1200W
Efficiency	95.5dB SPL / 1W / 1m
Lowcut frequency	37Hz at -10dB ; 43Hz at -3dB
Directivity	Omnidirectionnal
Max SPL	119dB at 1m

Mechanical data

Weight	11,0 kg
Height	200 mm
Width	400 mm
Depth	400 mm
Standard colors	White RAL 9016, Black RAL 9005 Mat finish

Electrical data

Nominal impedance	8 ohms/ 1000hm (Version 100V)
Recommanded amplification	100-500W
Euroblock connection with chain output. Connector furnished	

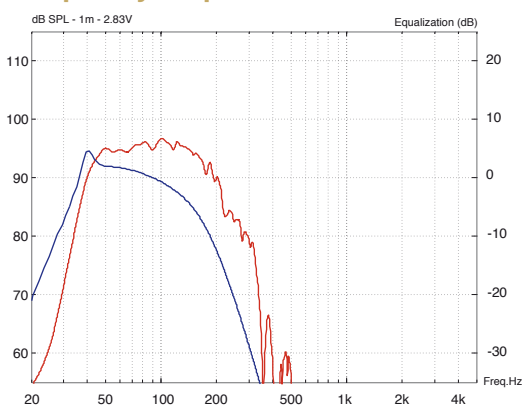
Tunning and exploitation

Maximum usable frequency	200Hz
Equalisation	3 cells

Accessories

SB110-KMV	Kit for vertical mounted on a wall
-----------	------------------------------------

Frequency response



Impedance curve

