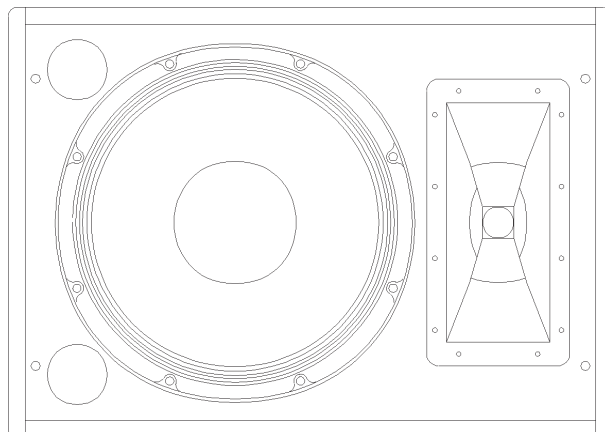


**XW15A**  
**15" Two-Way,**  
**Full-Range Passive**  
**Concert Stage Monitor**



**Key Features:**

- Ring-Mode Decoupling / RMD™
- ND6 3" Diaphragm HF Compression Driver for Very High Output
- EVX155 15" Woofer with 4" Voice Coil and RMD™
- 80° x 55° Coverage Pattern
- Rugged, 13-Ply Ultracompact Enclosure
- Neutrik Speakon® Paralleled Pass-Through Connectors on Both Ends of Enclosure
- Integrated Handles on Both Ends of Enclosure
- 55° Stage Monitor Angle



**General Description:**

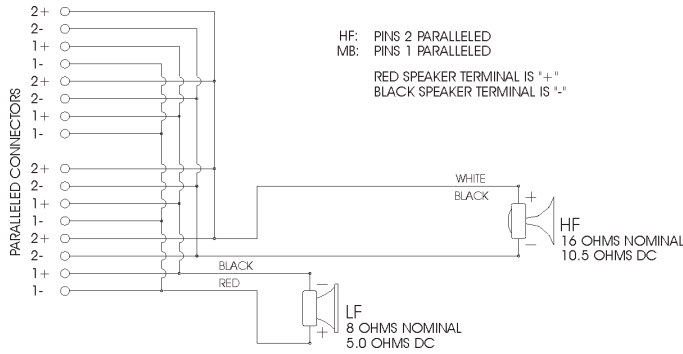
The Electro-Voice® Xw15A full-range, two-way, floor monitor loudspeaker system is part of the Electro-Voice X-Array™ series and is intended for high-level sound reinforcement in fixed-installation and touring-sound applications. The Xw15A is a full-range biamped floor monitor speaker system which may be used with the Electro-Voice Dx38 digital crossover, the Klark Teknik DN9848 or other high-quality, signal-controller system. For low-frequencies, the Xw15A uses the EVX155 woofer. The EVX155 features a 4.0-inch voice coil with high-excursion capability for maximum low-frequency output. The cone uses Kevlar for maximum strength and internal damping. For high frequencies, the Xw15A uses the ND6-16, a 3-inch diaphragm 1.4-inch-exit neodymium compression driver for very high output. Its unique one-piece, geometrically optimized titanium dome and suspension combined with its high-energy neodymium magnetic motor provide maximum efficiency and precise control of the diaphragm motion. The compression driver is coupled to an 80° x 55° horn. This flat-front, constant-directivity horn is based on the Electro-Voice HP series, and is geometrically optimized for performance from 1,250-20,000 Hz. The Xw15A is constructed of 18-mm void free, 13-ply plywood shell which is extremely rigid. This high-strength enclosure is sprayed with a resilient, textured black finish for a professional appearance. The Xw15A enclosure incorporates a 55° concert stage monitor angle. The flush-mounted, integrated handles on both ends of the enclosure make transportation easy.

**Technical Specifications:**

Freq. Response <sup>1</sup> (-3 dB):	55 Hz - 18 kHz
Freq. Range <sup>1</sup> (-10 dB):	46 Hz - 20 kHz
Max Calculated SPL:	127 dB Cont. Avg., 133 dB Peak
Coverage:	80° x 55°
LF Power Handling:	600W Continuous, 2400W Peak
HF Power Handling:	75W Continuous, 300W Peak
LF Sensitivity:	99 dB, 1W/1m
HF Sensitivity:	110 dB, 1W/1m
LF Impedance:	8 ohms (Nominal)
HF Impedance:	16 ohms (Nominal)
LF Transducer:	EVX155 15" (381mm) Driver, 8 ohms
HF Transducer:	ND6-16 3" (76mm) Diaphragm Comp. Driver, 16 ohms
Crossover Frequency:	Use Recommended Parameters <sup>2</sup>
Connectors:	Neutrik Speakon® NL4 Paralleled Pass-Through Connectors on Both Ends of Enclosure
Enclosure Material:	13-ply Birch plywood
Grille:	16 GA steel
Dim (H x W x D):	25.4" x 18.0" x 13.4" (644 x 457 x 340 mm)
Net Weight:	62.5 lbs (28.4 kg)
Shipping Weight:	71.8 lbs (32.6 kg)

<sup>1</sup> Full Space measurement with a Dx38 Controller.  
<sup>2</sup> Download at [www.electrovoice.com](http://www.electrovoice.com)

## Block Diagram:



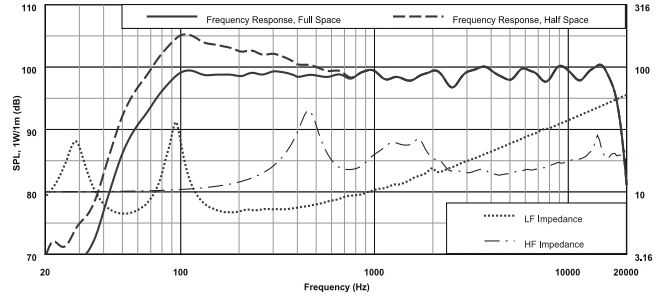
### Performance Match:

- Dx38 Digital Sound System Crossover
- Klark Teknik DN9848 Digital Sound Controller
- P-Series Amplifiers

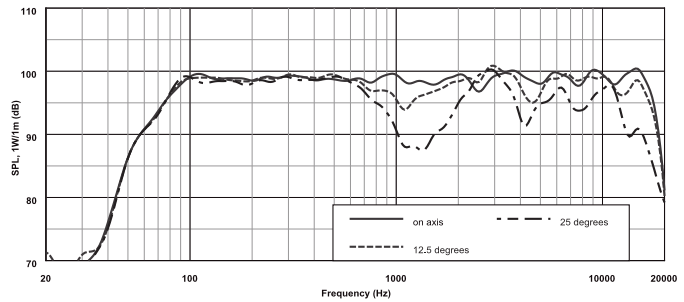
### XW15A Part Number:

- XW15A -- 1139-3424

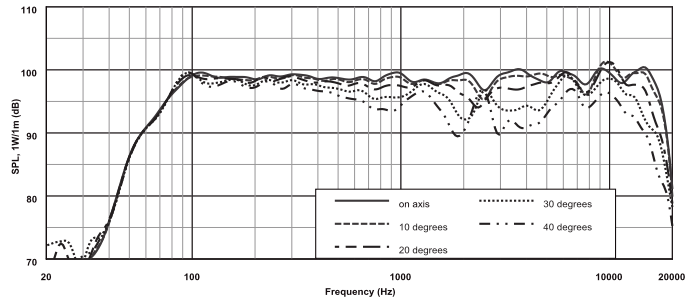
## Frequency Response & Impedance:



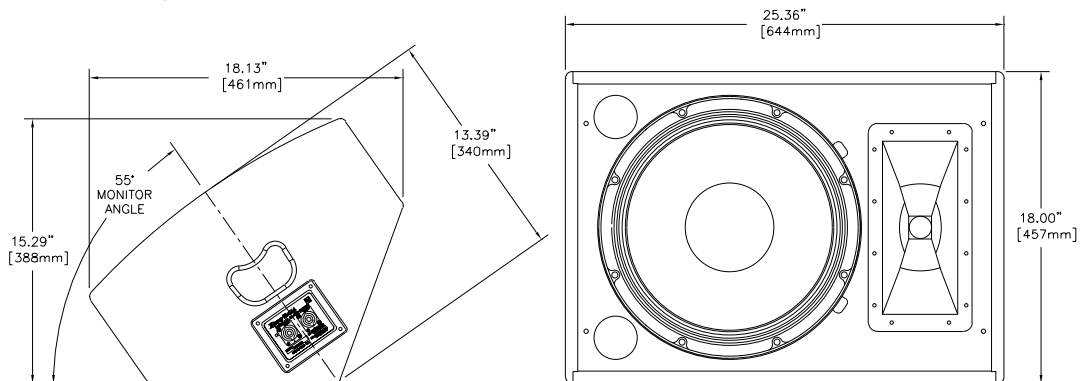
## Horizontal Off Axis Frequency Response:



## Vertical Off Axis Frequency Response:



## Dimension Drawings:



**Electro-Voice®**

12000 Portland Avenue South, Burnsville, MN 55337  
Phone: 952/884-4051, Fax: 952/884-0043

[www.electrovoice.com](http://www.electrovoice.com)

© Telex Communications, Inc. 6/2004

Part Number 38110-296 Rev A

U.S.A. and Canada only. For customer orders, contact Customer Service at:

**800/392-3497 Fax: 800/955-6831**

Europe, Africa, and Middle East only. For customer orders, contact Customer Service at:

**+ 49 9421-706 0 Fax: + 49 9421-706 265**

Other International locations. For customer orders, contact Customer Service at:

**+ 1 952 884-4051 Fax: + 1 952 736-4212**

For warranty repair or service information, contact the Service Repair department at:

**800/685-2606**

For technical assistance, contact Technical Support at: **866/78AUDIO**

Specifications subject to change without notice.