

SxA100+

SxA100+
Compact Powered Sound
Reinforcement Speaker for
Live Sound, Speech, Playback, DJ,
AV, Institutional Venues



Key Features:

- Compact, Ergonomic Size
- Integral Monitor Stand
- Mic and Line Inputs with Mix Capability
- 350 W Dynamic LF Power
- 80 W Dynamic HF Power
- LF and HF Equalization
- Line Output for Additional Speakers
- 65° x 65° Constant Coverage Horn
- High Sensitivity, 124 dB Maximum SPL
- Dynamic Filters Provide Overload Protection and Linear Response
- Molded-in Pole Mount, Easily Suspended



General Description:

The Electro-Voice® SxA100+ sets a new standard for powered speakers. Its design provides the user multiple inputs with mix capability, an easy to use EQ section, and plenty of power in very compact, attractive package.

This is a full range loudspeaker ideal for most applications requiring high-quality sound. Careful attention to the dynamic requirements of music guided the amplifier design to provide high SPL without excessive heat. The high quality microphone preamplifier provides great sounding vocals or speech. A master level control sets the desired SPL, and the line input can be mixed and balanced with a microphone with its level control. Its linear response is easily optimized for speech or music with the on board multiband equalization.

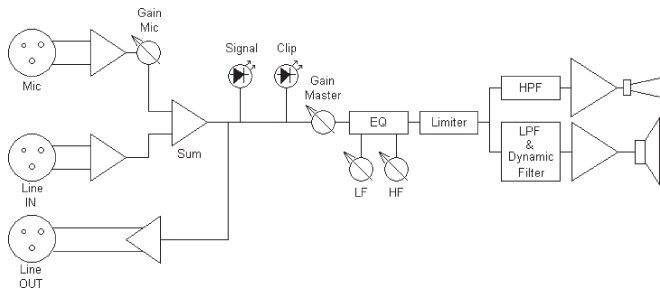
Built-in suspension points and pole mount make it easy to position for your application without expensive accessories.

The high-frequency section of the SxA100+ utilizes a molded-in, 65° x 65° constant-directivity horn. This unique pattern contributes to high intelligibility, vocals sound natural yet “cut through” in reverberant, noisy rooms. Coverage pattern is uniform, sound quality off-axis is very well maintained, even at 45° off axis (a 90° total coverage angle). The SxA100+'s high-frequency horn is driven by the DH2010A, a one-inch-throat, wide-bandwidth, titanium-diaphragm driver using a unique, convex-drive TimePath™ phasing plug structure (U.S. Patent #4,525,604) for smooth and extended high-frequency response.

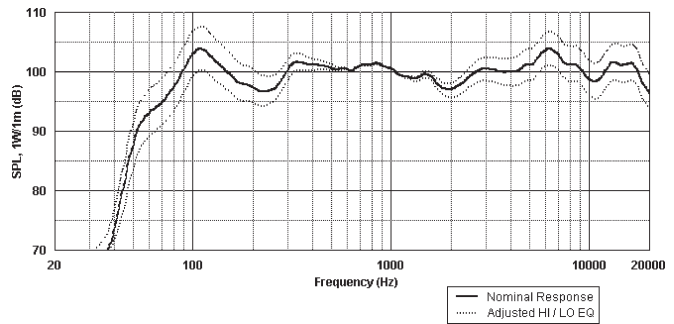
Technical Specifications:

Freq. Response (-10 dB):	50Hz-20kHz
Max SPL:	124 dB
Horizontal Coverage:	65°
Vertical Coverage:	65°
LF Amplifier Power:	350W 10ms burst, 150W Continuous
HF Amplifier Power:	80W 10ms burst, 50W Continuous
Max SPL:	124 dB
Mic Input Sensitivity:	-35 dBu to 0 dBu for full output
Line Input Sensitivity:	-12 dBu to 0 dBu for full output
LF Transducer:	12" (300mm)
HF Transducer:	1" (25mm) exit DH2010A Comp. Driver
Connectors:	
Balanced Mic, Line Inputs:	XLR, XLR and ¼" phone Combination
Balanced Output:	XLR
Equalization:	Shelving; LF ±6dB @ 140Hz HF ±4dB @ 5kHz
Power Requirement:	110-130 VAC, 50-60Hz, or 220-240 VAC, 50-60Hz 600 Watts
Enclosure Material:	Copolymer
Grille:	Powder Coated Steel with Cloth
Dim (H x W x D):	23.1" x 16.9" x 12.3 ("586 x 429 x 312mm)
Net Weight (each):	43 lbs (19.5 kg)
Shipping Weight:	47 lbs (21.3 kg)

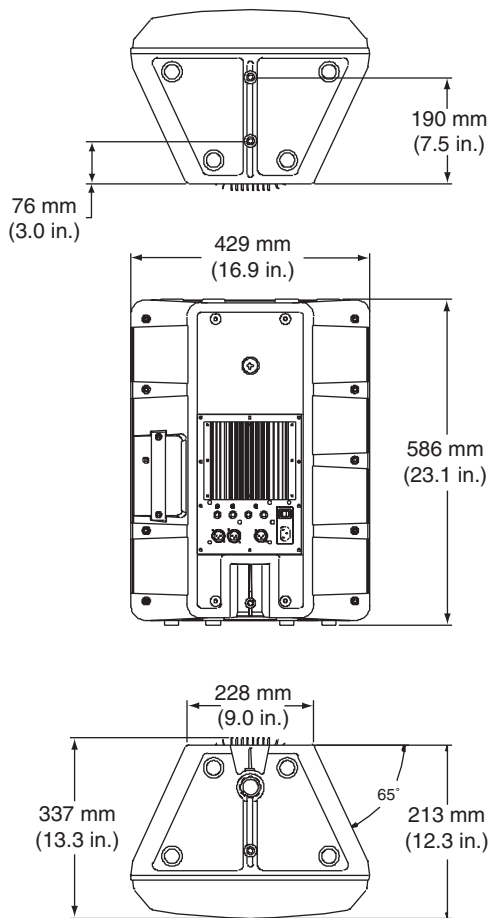
Block Diagram:



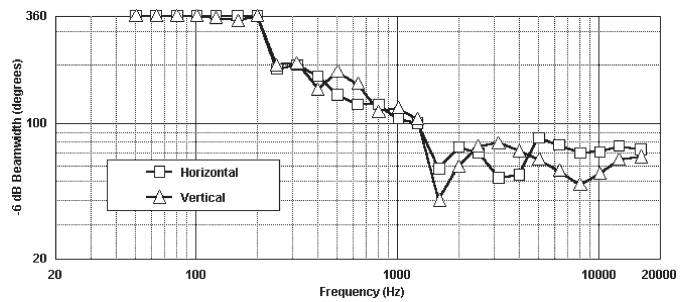
Frequency Response & Impedance:



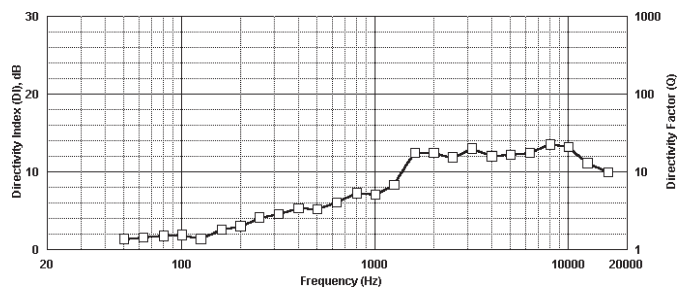
Dimension Drawings:



Beamwidth:



Directivity:



Performance Match:

- SxA180 Subwoofer
- SbA750 Subwoofer

Included Accessories:

- F200 Monitor Feet (Qty. 2)

Available Accessories:

- 100BK Tripod Stand
- MB100 Eyebolt Suspension Kit
- MB200 Bracket Suspension Kit
- MB300 Bracket Suspension Kit
- Sx ZB Zippered, Lined Carrying Bag

SxA100+ Part Numbers:

- SxA100+ (120V) -- 301360-001
- SxA100+ (230V) -- 301360-003



12000 Portland Avenue South, Burnsville, MN 55337
Phone: 952/884-4051, Fax: 952/884-0043

www.electrovoice.com

© Telex Communications, Inc. 1/2003

Part Number 38110-193 Rev B

U.S.A. and Canada only. For customer orders, contact Customer Service at:

800/392-3497 Fax: 800/955-6831

Europe, Africa, and Middle East only. For customer orders, contact Customer Service at:

+ 49 9421-706 0 Fax: + 49 9421-706 265

Other International locations. For customer orders, contact Customer Service at:

+ 1 952 884-4051 Fax: + 1 952 736-4212

For warranty repair or service information, contact the Service Repair department at:

800/685-2606

For technical assistance, contact Technical Support at: 866/78AUDIO

Specifications subject to change without notice.